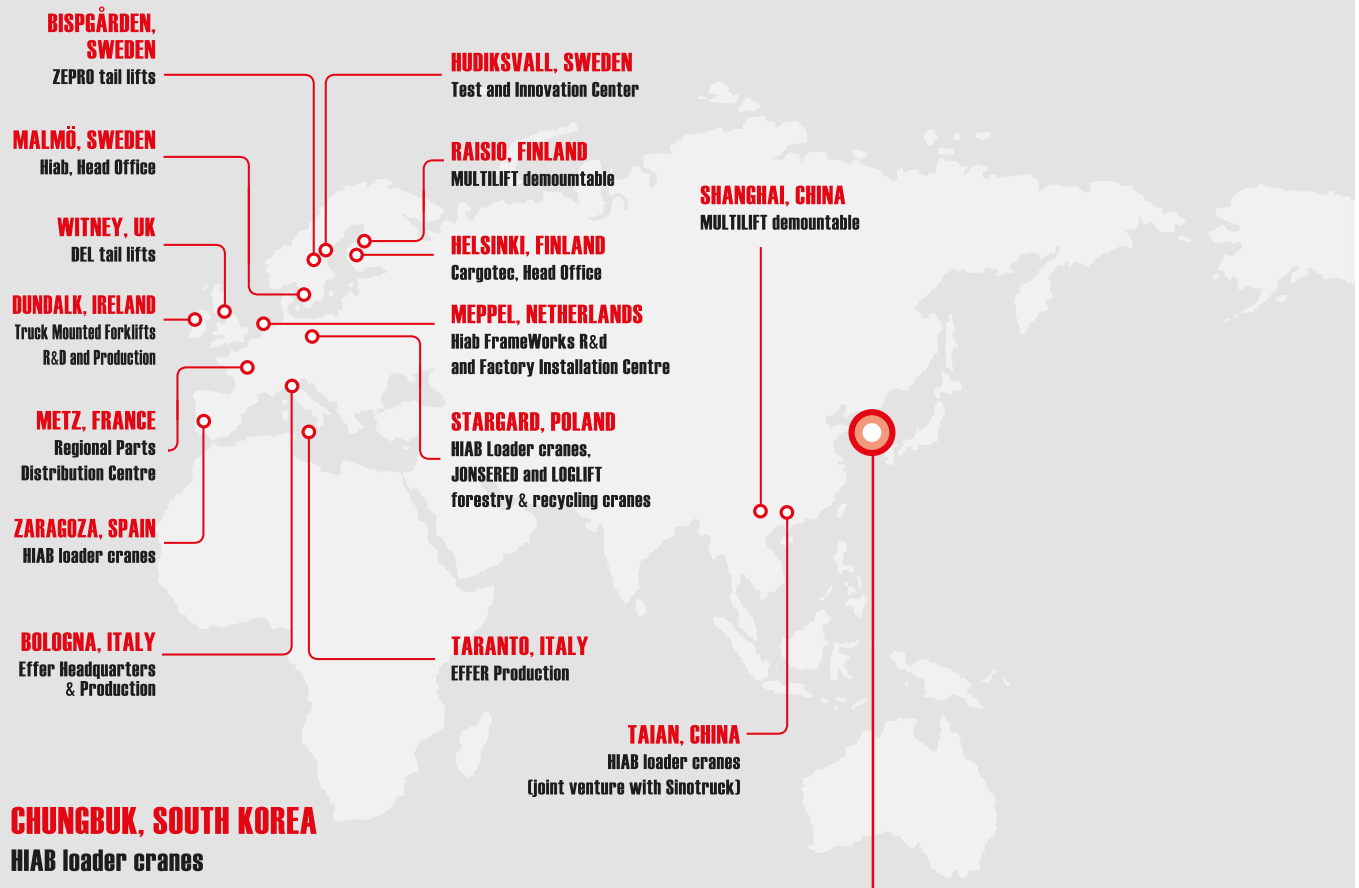




**HIAB KOREAN XG CRANES**  
**GRAPPLE TYPE / ARTICULATED PRODUCT**



HIAB is a world-class land logistics company in Sweden with a long history and tradition as a company that invented the world's first vehicle-mounted hydraulic crane in 1944. We are a company specializing in equipment. Major products include land cranes, offshore cranes, land loading and unloading equipment [Tail Lift, truck-mounted forklifts](Moffett), Demountable], etc., and is the world's largest manufacturer of hydraulic cranes with the world's largest sales in the crane sector. Cargotech Korea Co., Ltd. is a Korean manufacturer of Hiab, supplying and producing cranes in Korea since 1977. It is a brand company specializing in grapple type cranes with the same history. With over 70 dealerships and designated maintenance centers nationwide, we are always with you. Cranes produced in Korea with Hiab's technology are exported to Europe, Australia, Asia as well as the Middle East, Africa, South America and North America through Hiab's worldwide sales network.



Cargotech Korea Co., Ltd. factory view



Cargotech Korea Co., Ltd. Metropolitan Area Center

**1944**

Founded HIAB (Sweden) Invented the world's first vehicle-mounted crane

**1977**

Hiab Crane Supply in the country

Hiab domestic expansion 45th anniversary

**2022**

Hiab 75th anniversary

**2019**

Merger with McGregor Korea, Changed company name to Cargotech Korea Co., Ltd.

**2010**

**2008**

State-of-the-art painting automation system Completion

**2004**

Hiab crane domestic sales 10,000 units

**2002**

Registered as a military supplier

**2001**

Establishment of Metropolitan Customer Center (MCC)

**1999**

Hiab Co., Ltd. and Hana Special Vehicle Co., Ltd. Merged into Hiabhana Co., Ltd. and started domestic production

**1995**

From Kwanglim Hiab Co., Ltd. Changed company name to Hiab Co., Ltd.

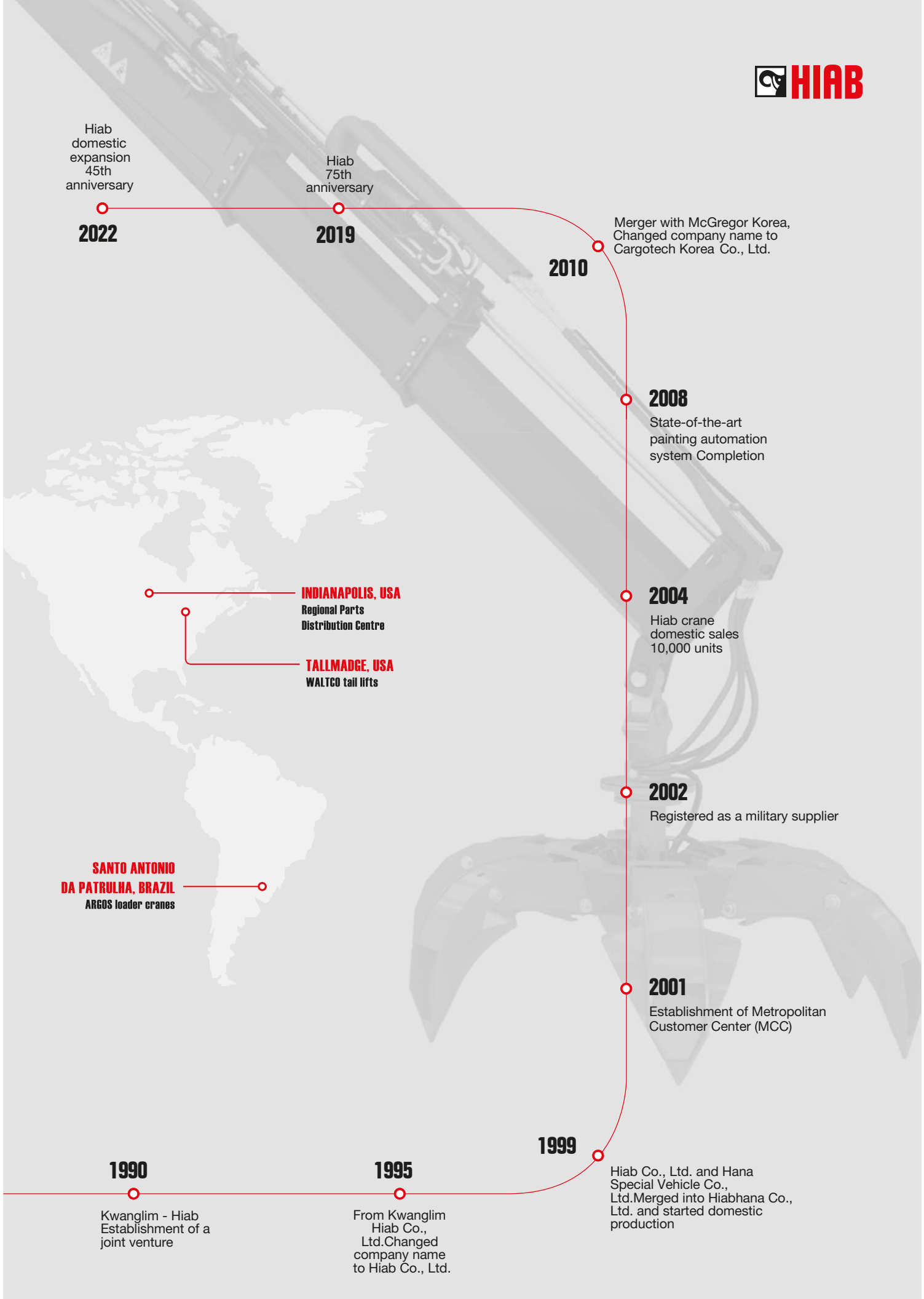
**1990**

Kwanglim - Hiab Establishment of a joint venture

**INDIANAPOLIS, USA**  
Regional Parts Distribution Centre

**TALLMADGE, USA**  
WALTCO tail lifts

**SANTO ANTONIO DA PATRULHA, BRAZIL**  
ARGOS loader cranes



# BEST QUALITY & SERVICE

- The only automated hiab crane painting factory in Korea boasts the world's best painting quality.
- Hiab Pro Care is a prepared service contract provided by Hiab to customers,
- This is the best warranty for the products we supply.

## Crane Painting Automation Factory



## HIAB PROCARE (HIAB SERVICE)



**1** INSPECTION

- All product are comprehensively inspected through visual and functional inspections.
- Inspection at the time of shipment, within 2 months after shipment, within 1 year after shipment

**2** ESSENTIALS

- We provide consumable replacement parts in a planned preventive maintenance program in accordance with Hiab recommendations

**3** WARRANTY+

- We provide planned preventive maintenance by extending the warranty period according to contract terms.

**4** TOTAL R&M

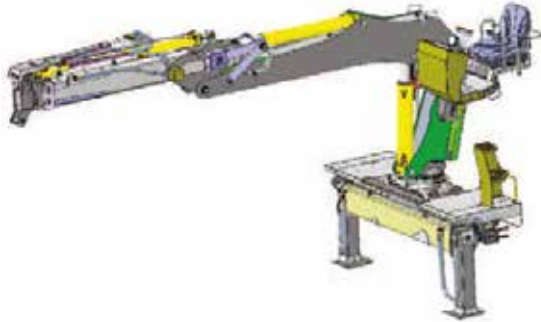
- Comprehensive Service contracts keep you in touch with customers throughout the life of your product through preventive maintenance and after-sales service to keep your product up to date.

### The most economical way to extend the life of your product

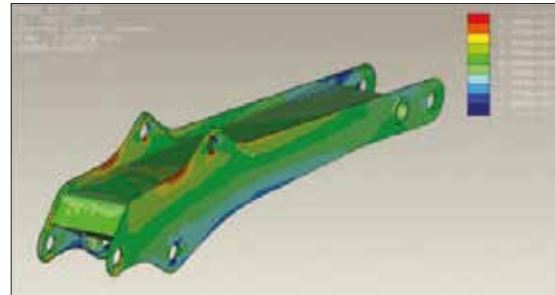
- Replace consumables (filters, hydraulic oil) with regular inspections and a planned preventive maintenance schedule.
- Hiab genuine parts with excellent quality through innovative design guarantee the life of the product.

## Design Program

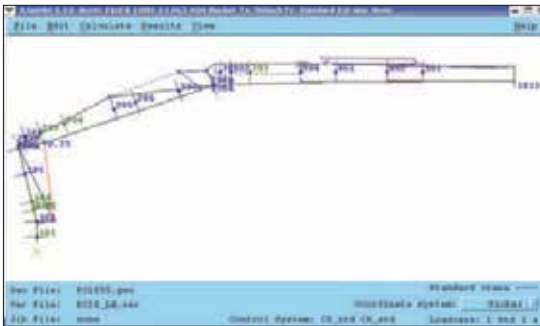
1 | CREO(Pro-Engineer)\_3D



2 | CREO Simulator



3 | X-Jumbo – Strength calculation program



4 | Hiab Cylinder calculation program

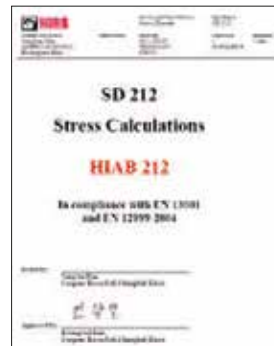
<b>HIAB</b> Cylinder strength and buckling calculation <small>CylCalc 2014.05.23 in accordance with CEENFS 1.3001-3-1</small>			
<b>Cylinder: 204-4038</b>			
<b>Loading</b>	Max static pressure*	Max pressure range	S class
Pushing	$P_s = 30.000\text{ bar}$	$\Delta P_s = 30.000\text{ bar}$	$S_s = 3$
Pulling	$P_s = 11.000\text{ bar}$	$\Delta P_s = 11.000\text{ bar}$	$S_s = 9$
<b>Thickness</b>			
<b>Main geometry</b>	<b>Cylinder tube:</b>	<b>Plate net:</b>	<b>Max. dia:</b>
Outer diameter	$D_o = 370\text{ mm}$	$D_p = 360\text{ mm}$	$D = 21 \times 10^3 \text{ mm}$
Inner diameter	$d_i = 330\text{ mm}$	$d_p = 73\text{ mm}$	
Yield strength	$R_{p0.2} = 1000\text{ MPa}$	$R_{p0.2} = 1000\text{ MPa}$	$L = \frac{D_o - d_i}{2} = 20\text{ mm}$
<b>Resistance coefficient</b>			
Visible cracks	$\alpha_{cr} = 1.25$	Hidden cracks	$\alpha_{cr} = 1.25$
			$\alpha_{cr} = 1.1$

## Design Proof

1 | Durability Test



2 | Prototype Inspection & Field Test



Manufacturing  
plant interior view



# WHY HIAB GRAPPLE CRANE

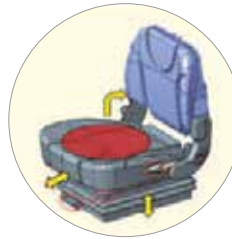
- Best painting quality (only HIAB has a painting automation factory)
- Column-attached storage parasol (design patent pending)
- Low maintenance and high used crane prices
- The world's first vehicle-mounted crane inventor and the largest production and sales company in Korea
- Comfortable work chair with heated wire and suspension applied
- Light weight (comparison of weight with other catalogs) Fixed type
- Safety certification head office implementation

## Hiab Grapple Crane

- Suspension and heated top seat for more comfortable work



Comfortable work chair with suspension



- Seat heating applied
- Seat cover application
- Distance adjustment before and after seat
- Suspension height adjustment according to backrest angle and weight

- By increasing the rated pressure, reinforcing the inside of the column, reinforcing the lower part of the outer boom **increasing pressure force**



### More convenient operation with hydraulic joystick control system

- Ergonomic design and smooth lever operation greatly reduce work fatigue
- Simultaneous operation of 2-3 or more functions is excellent and can be easily operated to increase work efficiency

- Parasol storage stand for storage with column attachment (design registration)



- Base ladder for boarding with increased convenience (shape change perforation)



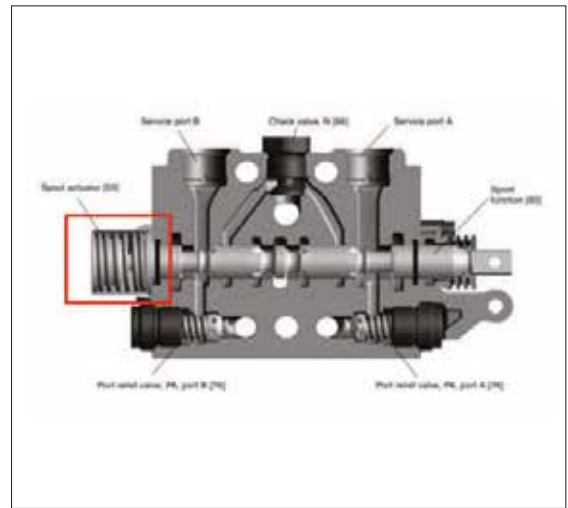
- Clean top seat lower cover



- Inner boom and outer boom work lights



- Improved control valve performance for smooth control lever operation



- Rope for riding



- Applied plated mounting bolts to all products
- Outrigger leg improvement by tight tolerance adjustment



# HIAB 14000XG

8 ton vehicle

- Can be installed on 8-ton vehicle ▪ Maximum working radius of 8.6m ▪ Korea's first large grapple crane
- HiAB's latest dedicated program was used to calculate optimal strength, select parts and cylinders, and implement three-dimensional design. Through sufficient durability tests and field tests, the crane's reliability and durability were greatly improved, and weight was reduced.
- It is maintaining its pride as the first large-scale grapple crane in Korea, and is receiving constant love from customers.
- It is a symbol of the large grapple crane that boasts the highest sales volume in the large grapple crane sector.
- You can select the joystick control method.



Division		14000XG
Crane capacity	tm	13.8
Maximum working radius	m	8.6
Lifting Capacity	m / kg	5.0 / 2,780
		6.7 / 2,060
		8.6 / 1,550
Rated Pressure	bar	260
Rated Flow	ℓ / min	80
Rotation Angle	°	410
Rotation Speed	%/sec	30
Oil Tank Capacity	ℓ	200
Grapple Capacity	m <sup>3</sup>	0.45
Self-weight (excluding O/R)	kg	2,350
Installed Vehicle	ton	8 ton over



\*Actual lifting load may vary depending on the vehicle in which the crane is installed.