

# HIAB X-CLX 398 EP

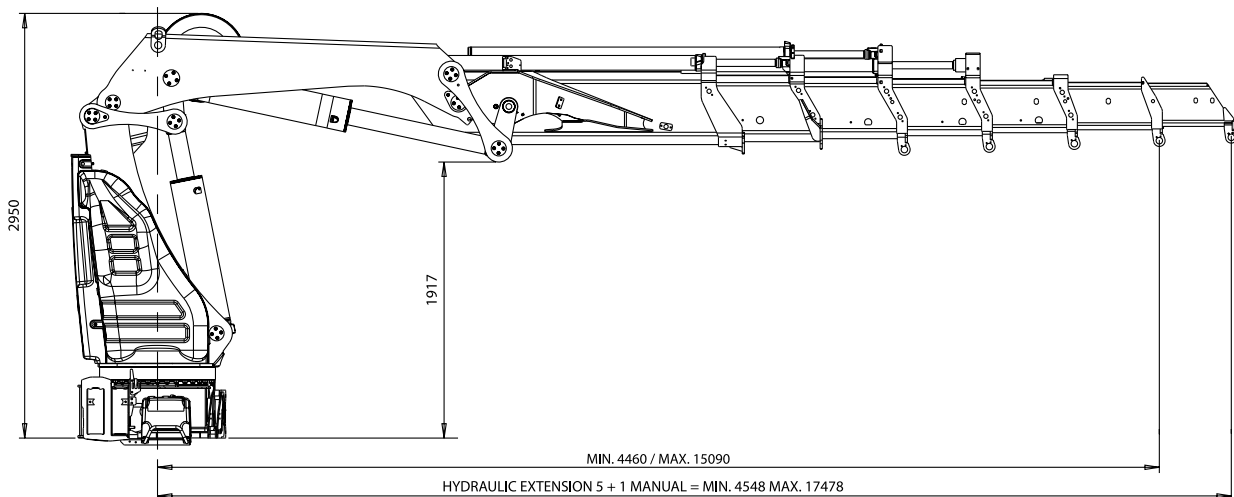


# HIAB X-CLX 398 EP BASIC DATA

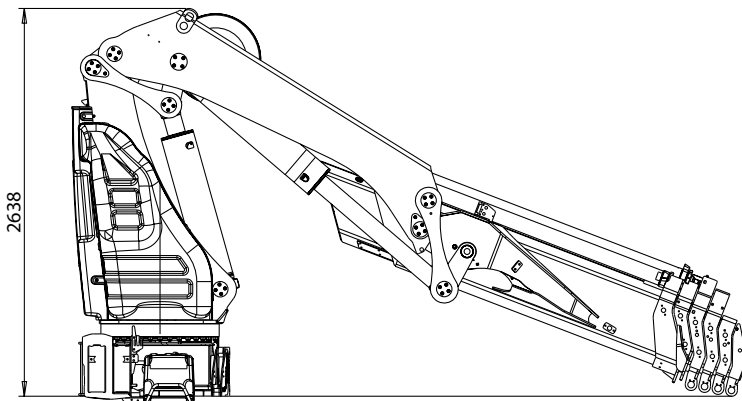
TECHNICAL DATA	X-CLX 398 EP-2	X-CLX 398 EP-3	X-CLX 398 EP-4	X-CLX 398 EP-5
Mdyn	419 kNm	427 kNm	434 kNm	439 kNm
Lifting capacity (kNm)	334	326	321	316
Lifting capacity (tm)	34.1	33.2	32.7	32.2
Outreach - lifting capacity, standard (m-kg)	3.3 - 10 000 4.2 - 8 100 5.9 - 5 700 7.9 - 4 300	3.2 - 10 000 4.3 - 7 700 6.0 - 5 500 8.0 - 4 050 10.2 - 3 150	3.2 - 10 000 4.4 - 7 400 6.1 - 5 200 8.1 - 3 800 10.3 - 2 900 12.6 - 2 360	3.1 - 10 000 4.5 - 7 100 6.2 - 5 000 8.2 - 3 600 10.4 - 2 750 12.7 - 2 200 15.0 - 1 840
Outreach - lifting capacity, manual extensions (m-kg)				17.4 - 1 500
Hydraulic outreach, standard (m)	8.0	10.3	12.7	15.1
Hydraulic boom extension (m)	3.8	6.0	8.3	10.6
Outreach, manual extensions (m)	-	-	-	17.5
Lifting height above installation level, hydr/man (m)	10.5 / -	12.8 / -	15.2 / -	17.5 / 19.9
Rec. oil flow (l/min)	100 - 120	100 - 120	100 - 120	100 - 120
Working pressure (Mpa)	35.0	35.0	35.0	35.0
Slewing angle (°)	continuous	continuous	continuous	continuous
Max slope viable at full capacity (°)	5	5	5	5
Height in folded position (mm)	2 458	2 458	2 458	2 458
Width in folded position (mm)	2 503	2 503	2 503	2 513
Install space required (mm)	1 305	1 373	1 403	1 403
Crane in standard version without stabiliser system (kg)	3 292	3 512	3 727	3 895
Frame attachments (kg)	0	0	0	0
Stabiliser system (kg)	458 - 551	458 - 551	458 - 551	458 - 551

This table shows one example of a model, and represents some of all options available. With the opportunity to configure your crane, we can provide you with a crane perfectly tailored to your needs.

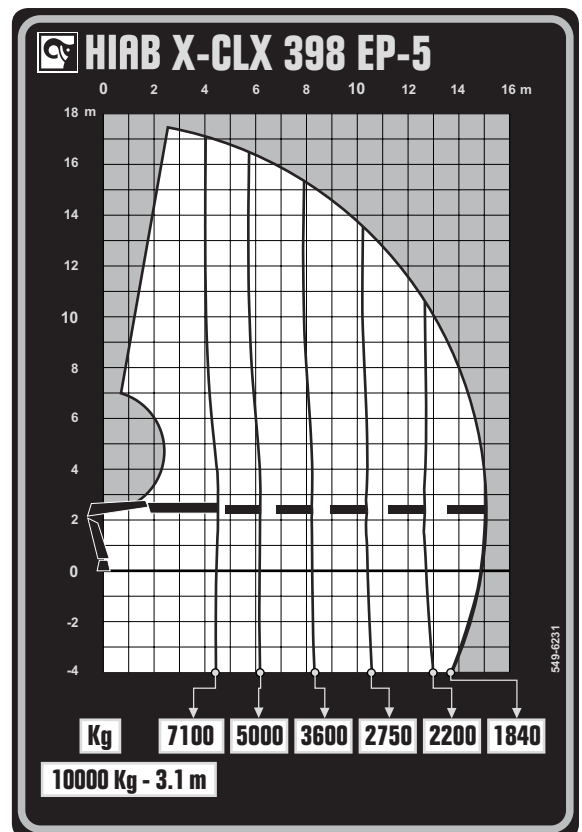
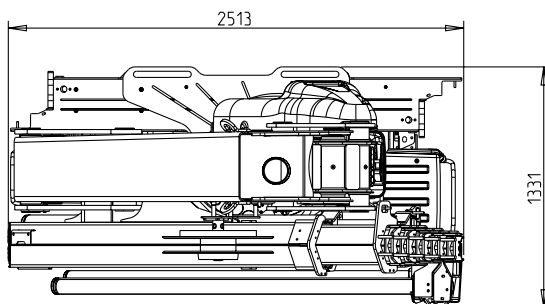
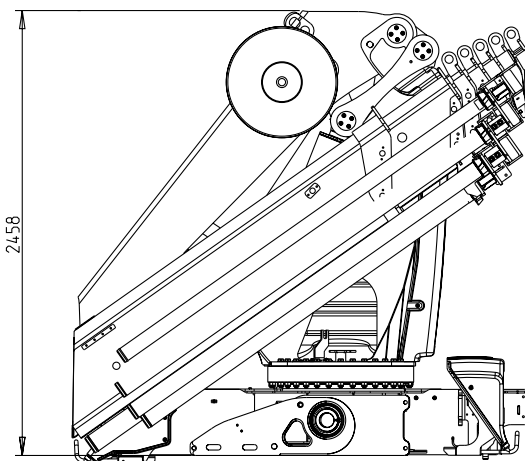
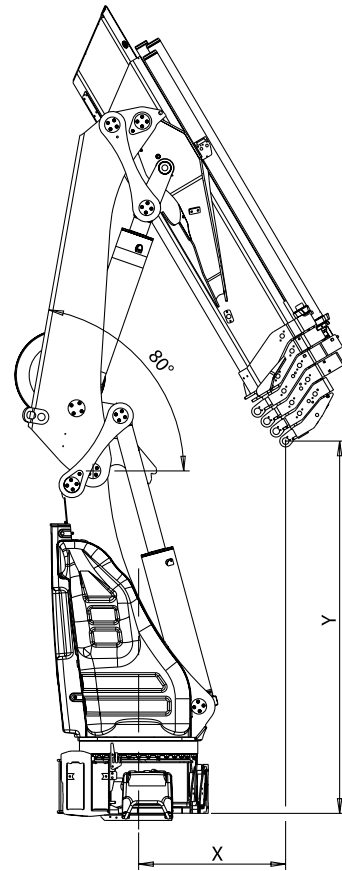
Please contact your local dealer for more information and the exact data on the variety of options we can offer.



# HIAB X-CLX 398 EP-5



X	Y
700	2422
1000	2533



# BUILT TO PERFORM

Hiab is the world's leading provider of on-road load handling equipment. Customer satisfaction is the first priority for us. Hiab's product range includes HIAB loader cranes, JONSERED recycling and forestry cranes, LOGLIFT forestry cranes, MOFFETT truck mounted forklifts and MULTILIFT demountables, as well as DEL, WALTCO and ZEPRO tail lifts.

[hiab.com](http://hiab.com)

Hiab is part of Cargotec.

[cargotec.com](http://cargotec.com)



© BD-XCLX398EP-EN-WW\_170823



[hiab.com](http://hiab.com)